

DESIGNED AND DIMENSIONED  
IN MILLIMETERS[INCHES]

DO NOT  
SCALE FROM  
THIS PRINT

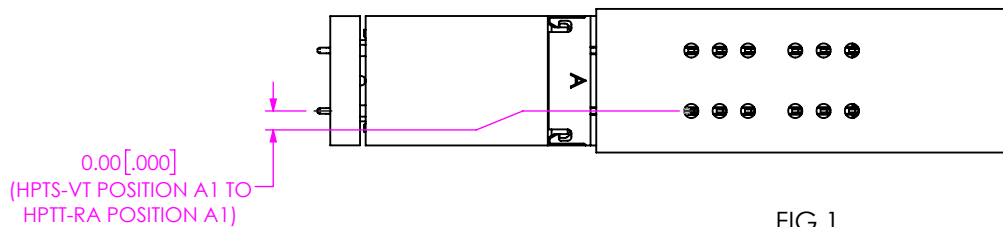
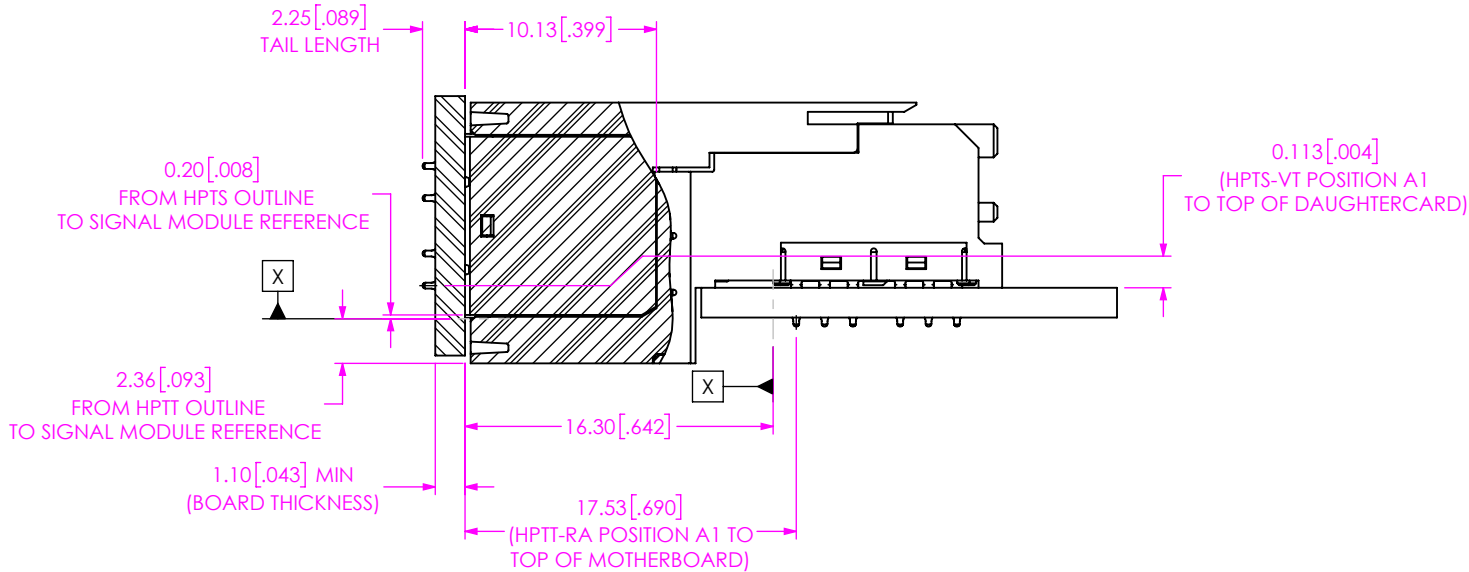
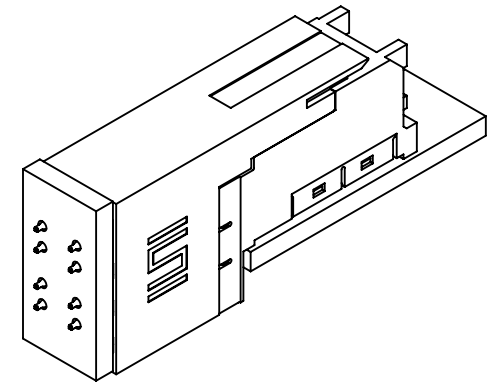


FIG 1  
HPTS-3 MATED WITH HPTT-3

NOTES:  
1. ALL DIMENSIONS BASED ON NOMINAL VALUES WITH FULLY MATED CONNECTORS.

• PROPRIETARY NOTE •  
 THIS DOCUMENT CONTAINS CONFIDENTIAL AND PROPRIETARY INFORMATION AND ALL DESIGN, MANUFACTURING, REPRODUCTION, USE, PATENT RIGHTS AND SALES RIGHTS ARE EXPRESSLY RESERVED BY SAMTEC, INC. THIS DOCUMENT SHALL NOT BE DISCLOSED, IN WHOLE OR PART, TO ANY UNAUTHORIZED PERSON OR ENTITY NOR REPRODUCED, TRANSFERRED OR INCORPORATED IN ANY OTHER PROJECT IN ANY MANNER WITHOUT THE EXPRESS WRITTEN CONSENT OF SAMTEC, INC.



520 PARK EAST BLVD, NEW ALBANY, IN 47150  
PHONE: 812-944-6733 FAX: 812-948-5047  
e-Mail info@SAMTEC.com code 55322